

Function

A long and slender column of water which displays an attractive "roostertail" in mild winds, the NEA Plume Jet may also be used for vertical effects, angled spray bars and rings. Not water level dependent.

Specification

Construction shall be cast bronze and brass with an integral swivel connection. Available with male and female connection (See page 2)

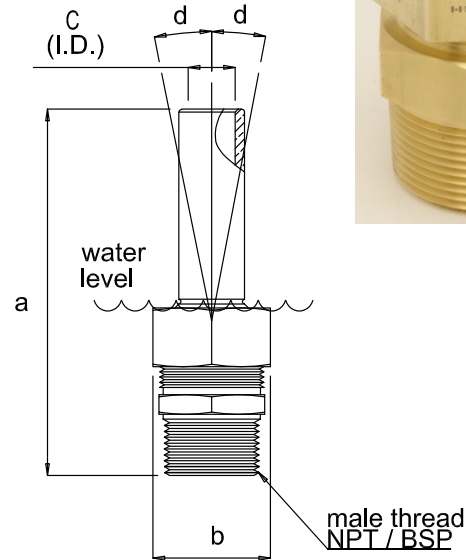
Options

WMF082 - Key for angle adjustment (NEA012 to NEA078 only)

Notes

For optimum effect:

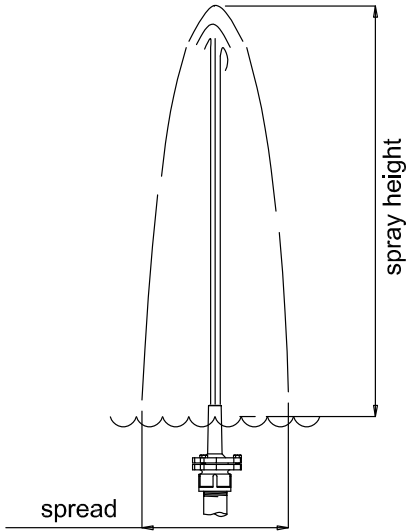
1. Requires fine filter screening at pump. Screen openings should not exceed 50% of dimension "C"
2. Swivel alignment should not exceed d dimension
3. Requires a straight length of pipe to the nozzle inlet. 6 times the inlet diameter.
4. Contact Crystal for custom bore sizes



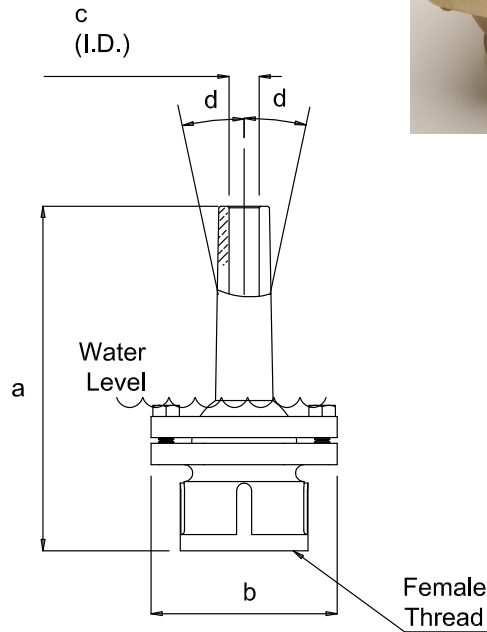
Crystal part no.	inlet NPT / BSP	suction strainer openings required, in(mm)	a approx. in(mm)	b	c (I.D.) in(mm)	d	spray height, ft(m)	5' (1.5)	10' (3.0)	15' (4.6)	20' (6.1)	30' (9.1)	40' (12.2)	50' (15.2)	60'
NEA012	1/8"	.065" (1.6)	1-7/8" (48)	7/16"	.125" (3.2)	15°	gpm/ Lpm head, ft/ m spread,"/cm	0.7/2.6 8'/ 2.4 5"/ 13	1.0/3.7 14'/ 4.3 7"/ 18						
NEA025	1/4"	.090" (2)	2-1/4" (57)	9/16"	.187" (4.8)	18°	gpm/ Lpm head, ft/ m spread,"/cm	2.2/8.3 8'/ 2.4 6"/ 15	2.8/11 14'/ 4.3 7"/ 18	3.3/13 20'/ 6.1 9"/ 23					
NEA037	3/8"	.125" (3)	2-3/4" (70)	11/16"	.250" (6.4)	18°	gpm/ Lpm head, ft/ m spread,"/cm	3.6/ 14 8'/ 2.4 6"/ 15	5.1/ 19 14'/ 4.3 8"/ 15	6/ 23 20'/ 6.1 12"/ 15	6.5/ 25 27'/ 8.3 16"/ 15				
NEA050	1/2"	.190" (5)	3-1/2" (89)	29/32"	.375" (9.5)	15°	gpm/ Lpm head, ft/ m spread,"/cm	7/ 26 8'/ 2.4 8"/ 20	9/ 34 14'/ 4.3 12"/ 30	12/ 45 21'/ 6.4 16"/ 40	14/ 53 27'/ 8.1 23"/60				
NEA078	3/4"	.250" (6)	3-7/8" (98)	1-1/4"	.500" (12.7)	15°	gpm/ Lpm head, ft/ m spread,"/cm	11/ 42 7'/ 2.1 8"/ 20	16/ 61 13'/ 4.0 12"/ 30	20/ 76 19'/ 5.8 16"/ 40	25/ 94 33'/ 10 23"/60				
NEA101 NEA101B	1" NPT 1" BSP	.315" (8)	4-3/4" (121)	1-1/2"	.563" (14.3)	20°	gpm/ Lpm head, ft/ m spread,"/cm	14/ 51 8'/ 2.4 8"/ 20	19/ 72 15.9'/ 4.8 12"/ 30	24/ 91 25.2'/ 7.6 16"/ 40	28/ 106 27'/ 8.2 23"/ 60	33/125 40'/12.2 40"/101			
NEA151 NEA151B	1-1/2" NPT 1-1/2" BSP	.393" (10)	6-1/8" (156)	2"	.625" (15.8)	21°	gpm/ Lpm head, ft/ m spread,"/cm	17.7/ 67 8.7'/ 2.6 12"/ 30	24.8/94 16'/ 4.8 24"/ 60	31/118 25'/ 7.6 35'/ 90	35/132 30'/ 9.1 43"/110	48/182 36'/11 59'/150	59/223 48'/14.4 78"/200		

*** Bolded chart section recommended.

Nozzle effect



Clear Stream Effect



Crystal part no.	inlet NPT / BSP	suction strainer openings required, in(mm)	a approx. in(mm)	b	c (I.D.) in(mm)	d	spray height, ft(m)												
								10' (3.0)	15' (4.6)	20' (6.1)	30' (9.1)	40' (12.2)	50' (15.2)	60' (18.3)	70' (21.3)	80' (24.4)	90' (27.4)	100' (30.4)	
NEA200	2"	.435" (11.1)	7 1/2" (191)	4 3/8"	.875" (22.2)	15°	gpm/ Lpm head, ft/ m spread, "/cm	45/170 12"/3.7 18"/46	56/212 19'/5.8 26"/66	67/264 26'/7.9 46"/117	86/325 44'/13 64"/163	113/430 69'/21 76"/193	117/442 74'/23 88"/224						
NEA300	3"	.550" (14)	12-1/4" (311)	6"	1.125" (28.6)	18°	gpm/ Lpm head, ft/ m spread, "/cm	73/276 19'/5.8 18"/46	90/341 30'/9.1 18"/46	116/440 N/A	137/518 46'/14 N/A	174/659 58'/18 N/A	197/745 79'/24 N/A	230/870 115'/35 N/A					
NEA400	4"	.75" (19.1)	16" (406)	15"	1.500" (38.1)	18°	gpm/ Lpm head, ft/ m spread, "/cm			198/750 24'/7.3 N/A	259/980 37'/11.3 N/A	284/1075 51'/16 N/A	320/1211 61'/19 N/A	393/1488 84'/26 N/A	407/1541 97'/30 N/A	423/1601 104'/32 N/A	496/1878 110'/34 N/A	520/1970 150'/46 N/A	

*** Bolded chart section recommended.