

Function

A sparkling and unique triple-tiered effect of clear streams. Ideal for small and medium-sized displays.

Not water level dependent.

Specification

Construction shall be cast bronze, brass and copper with removable cap for easy cleaning.

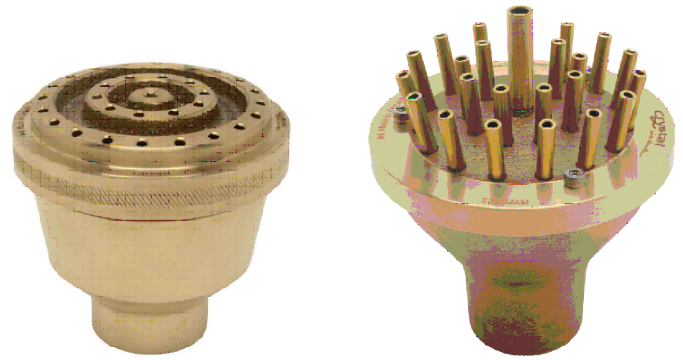
Options

ASU Series - 15° swivel connection for directional alignment of nozzle

Notes

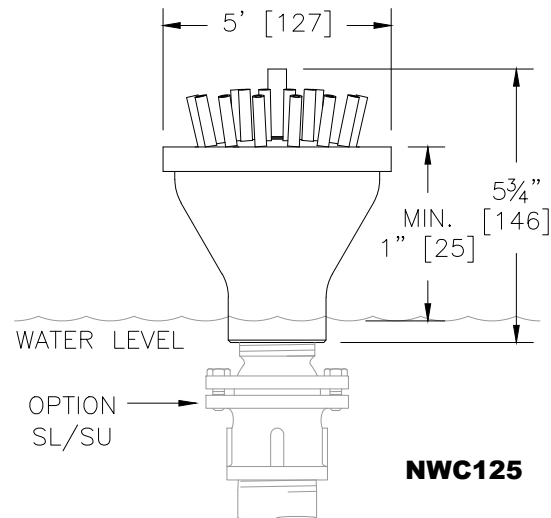
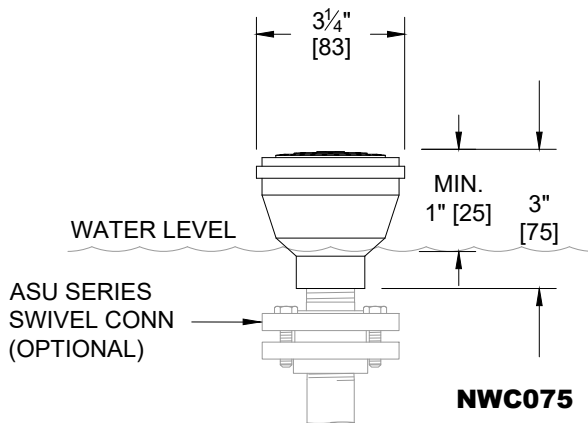
For optimum effect

1. Requires fine screening at pump (see performance chart)



NWC075

NWC125



Performance

Part no.	inlet n.p.t. or b.s.p.	suction strainer openings required	spray height	3'	4'	5'	6'	7'	8'	9'	10'
				US gpm head spread	US gpm head spread	US gpm head spread	US gpm head spread	US gpm head spread	US gpm head spread	US gpm head spread	
NWC075	3/4"	.065"		11 7' 2.1'	14 10' 3'	18 12' 5'	21 28' 6.4'				
NWC125	1 1/4"	.125"			19 6' 3'	21 7' 4'	23 8' 5'	25 10' 6'	28 12' 6.7'	30 14' 8'	33 16' 9'

